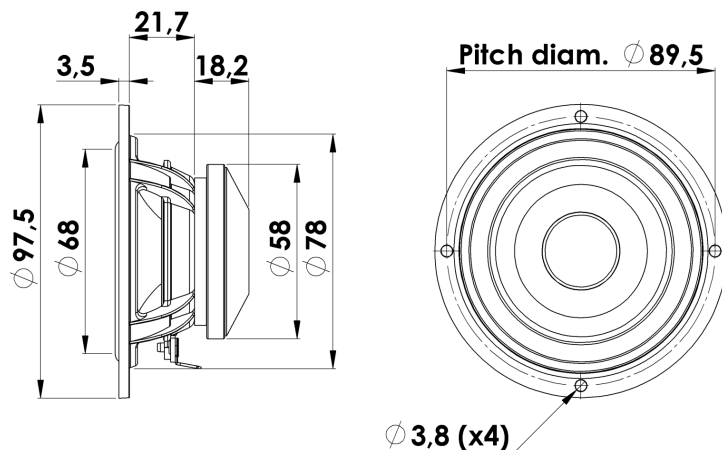




## MIDRANGE

# 10M/4614G06

Our SILVER SERIES are specially selected units from Scan-Speak's well-known home audio speakers. Which have been optimized for automotive use. This series enables audiophiles to experience in their vehicle the - TRUE TO LIVE - that they enjoy from their high-end home audio system.



### KEY FEATURES:

- Very wide Frequency Range
- Coated NRSC Fibre Glass Cone (patent)
- Compact Size, Neo magnet, Alu. Chassis
- High Sensitivity 90dB / 2,83V
- SBR Rubber Surround
- Copper Cap on Pole Piece

#### T-S Parameters

Resonance frequency [fs]	90 Hz
Mechanical Q factor [Qms]	3.2
Electrical Q factor [Qes]	0.32
Total Q factor [Qts]	0.29
Force factor [Bl]	3.9 Tm
Mechanical resistance [Rms]	0.49 kg/s
Moving mass [Mms]	2.8 g
Compliance [Cms]	1.1 mm/N
Effective diaph. diameter [D]	68 mm
Effective piston area [Sd]	36 cm <sup>2</sup>
Equivalent volume [Vas]	2.0 l
Sensitivity (2.83V/1m)	90 dB
Ratio Bl/√Re	2.2 N/√W
Ratio fs/Qts	309 Hz

#### Notes:

IEC specs. refer to IEC 60268-5 third edition.  
All Scan-Speak products are RoHS compliant.  
Data are subject to change without notice.  
Datasheet updated: March 15, 2016.

#### Electrical Data

Nominal impedance [Zn]	4 $\Omega$
Minimum impedance [Zmin]	3.8 $\Omega$
Maximum impedance [Zo]	34.5 $\Omega$
DC resistance [Re]	3.2 $\Omega$
Voice coil inductance [Le]	0.1 mH

#### Power Handling

100h RMS noise test (IEC 17.1)	15 W
Long-term max power (IEC 17.3)	30 W

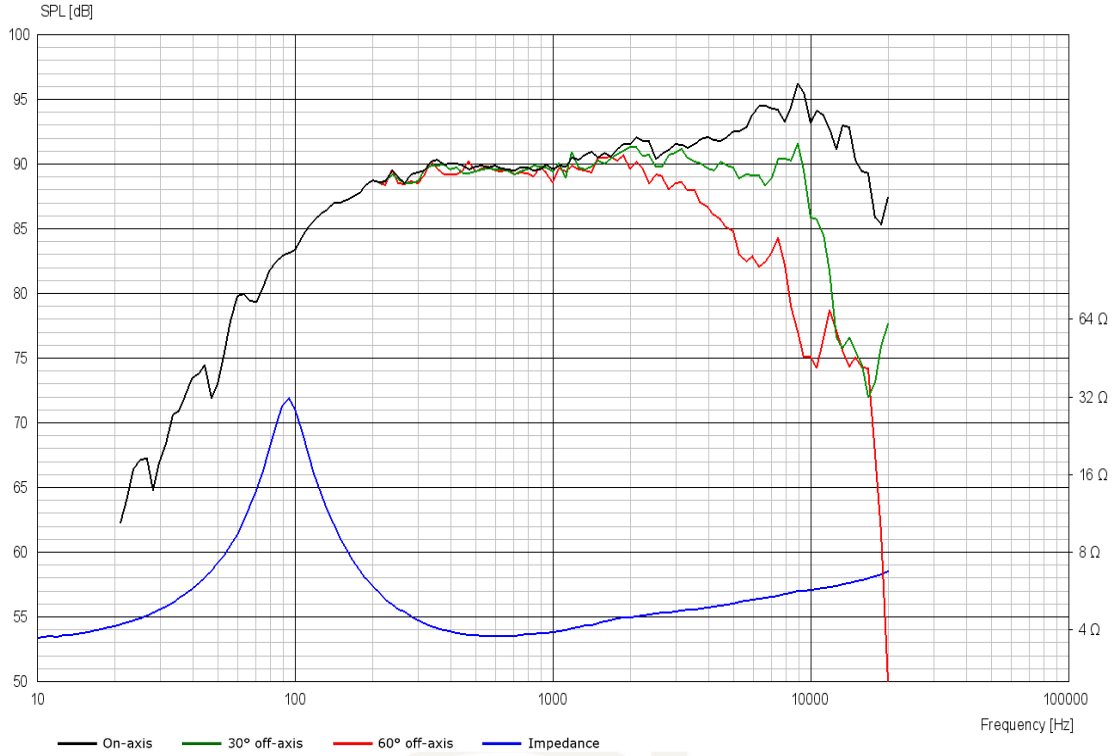
#### Voice Coil & Magnet Data

Voice coil diameter	20 mm
Voice coil height	9.2 mm
Voice coil layers	2
Height of gap	4 mm
Linear excursion	$\pm 2.6$ mm
Max mech. excursion	$\pm 7$ mm
Unit weight	0.3 kg

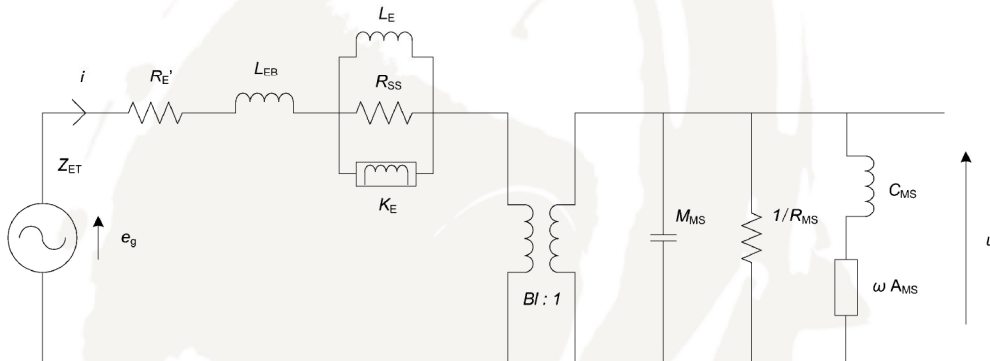


# MIDRANGE

# 10M/4614G06



## Advanced Parameters (Preliminary)



### Electrical data

Resistance [R <sub>e'</sub> ]	3.22 Ω
Free inductance [L <sub>eb</sub> ]	0.020 mH
Bound inductance [L <sub>e</sub> ]	0.22 mH
Semi-inductance [K <sub>e</sub> ]	0.042 SH
Shunt resistance [R <sub>ss</sub> ]	3 Ω

### Mechanical Data

Force Factor [BI]	4.10 Tm
Moving mass [M <sub>ms</sub> ]	3.1 g
Compliance [C <sub>ms</sub> ]	0.72 mm/N
Mechanical resistance [R <sub>ms</sub> ]	0.80 kg/s
Admittance [A <sub>ms</sub> ]	0.12 mm/N